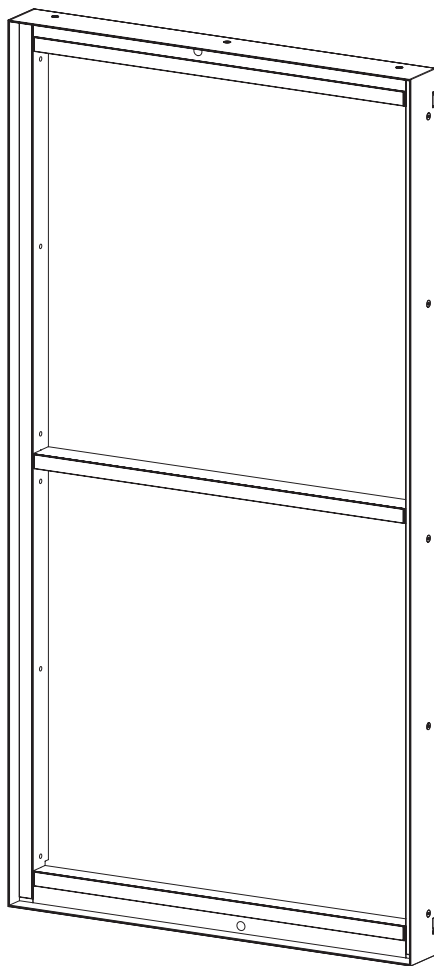


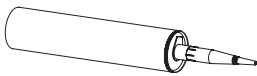
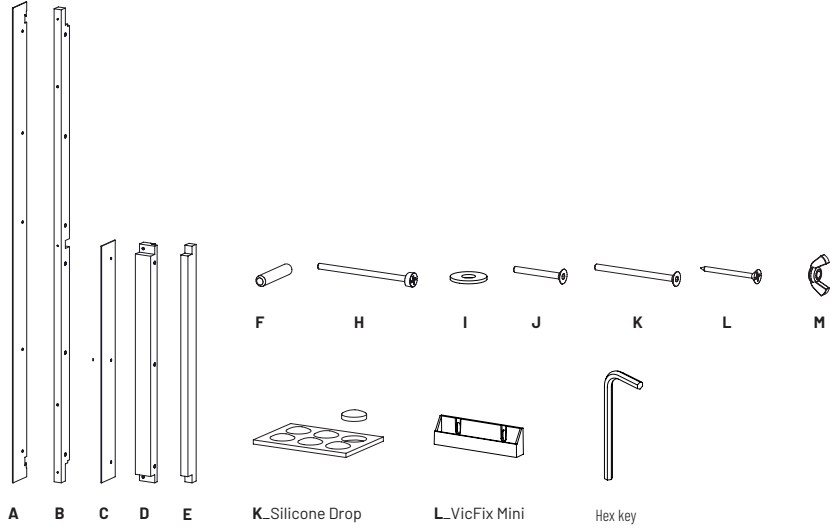
VicSpacer

Assembling Manual

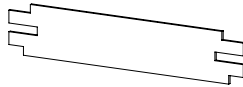


✓ MATERIAL NEEDED

Included



Flexi Glue Ultra



F_Gauge



X_XXL Gauge

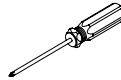
Not Included



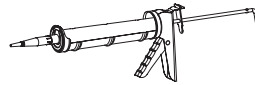
Wall Plugs and Screws



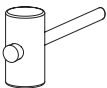
Measuring Tape



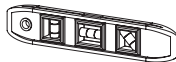
Screwdriver



Caulking Gun



Rubber Hammer



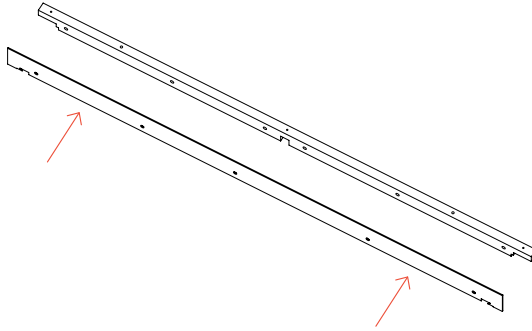
Level



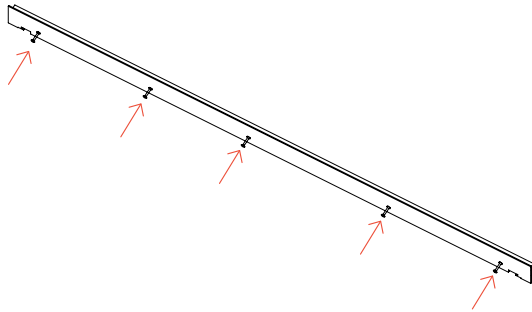
Drill

1

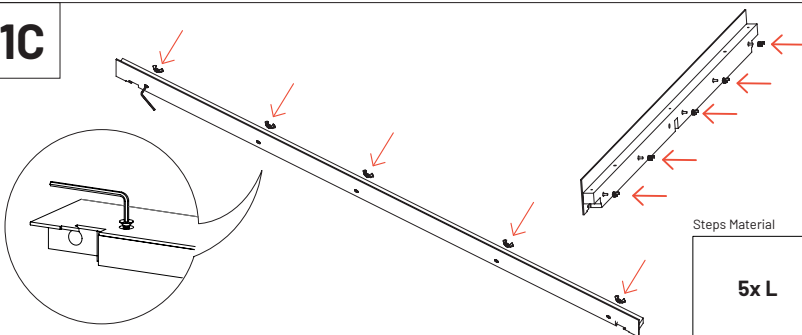
Attach the side metal plates to the plywood strips as shown in the diagrams. Position the plywood strips on a flat surface, so that when you lean the metal plates, they stay as aligned as possible with each other.

1A**2x**

Steps Material

2x A**2x B****1B**

Steps Material

5x J**1C**

Steps Material

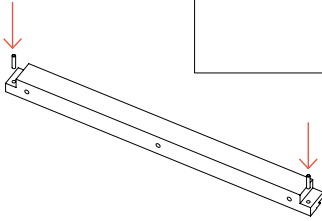
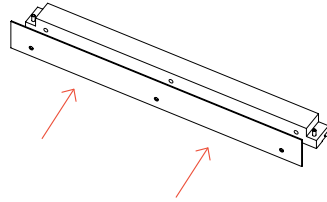
5x L

2

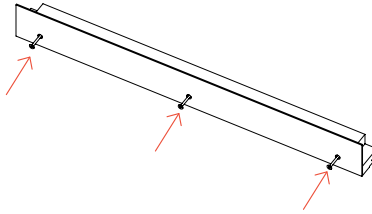
Repeat the previous step.

2A

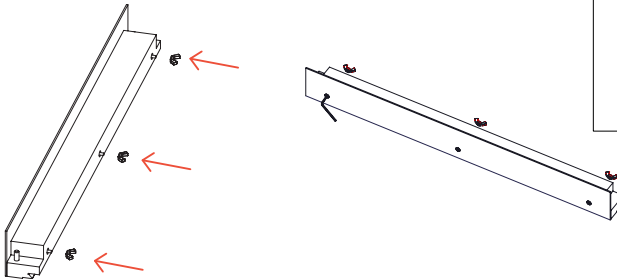
Steps Material

2x F**2B****2C**

Steps Material

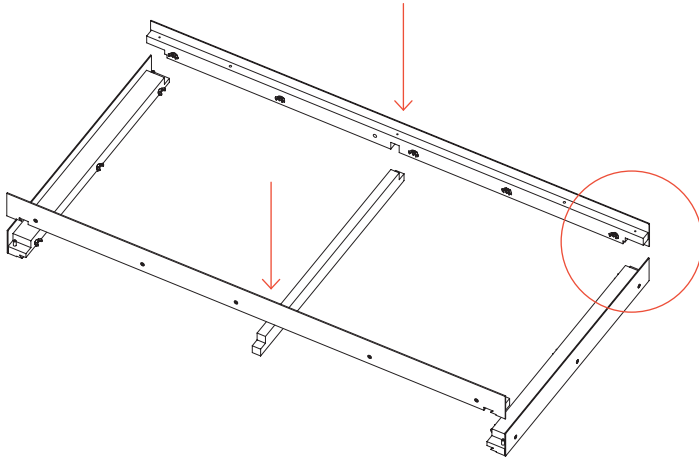
5x K**2D**

Steps Material

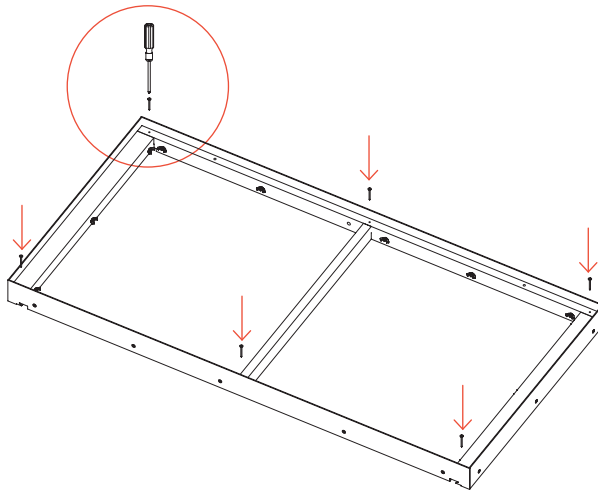
3x L

3

Fit the pieces together and press them to form a frame.

**4**

Tighten the fixing screws in the indicated places.

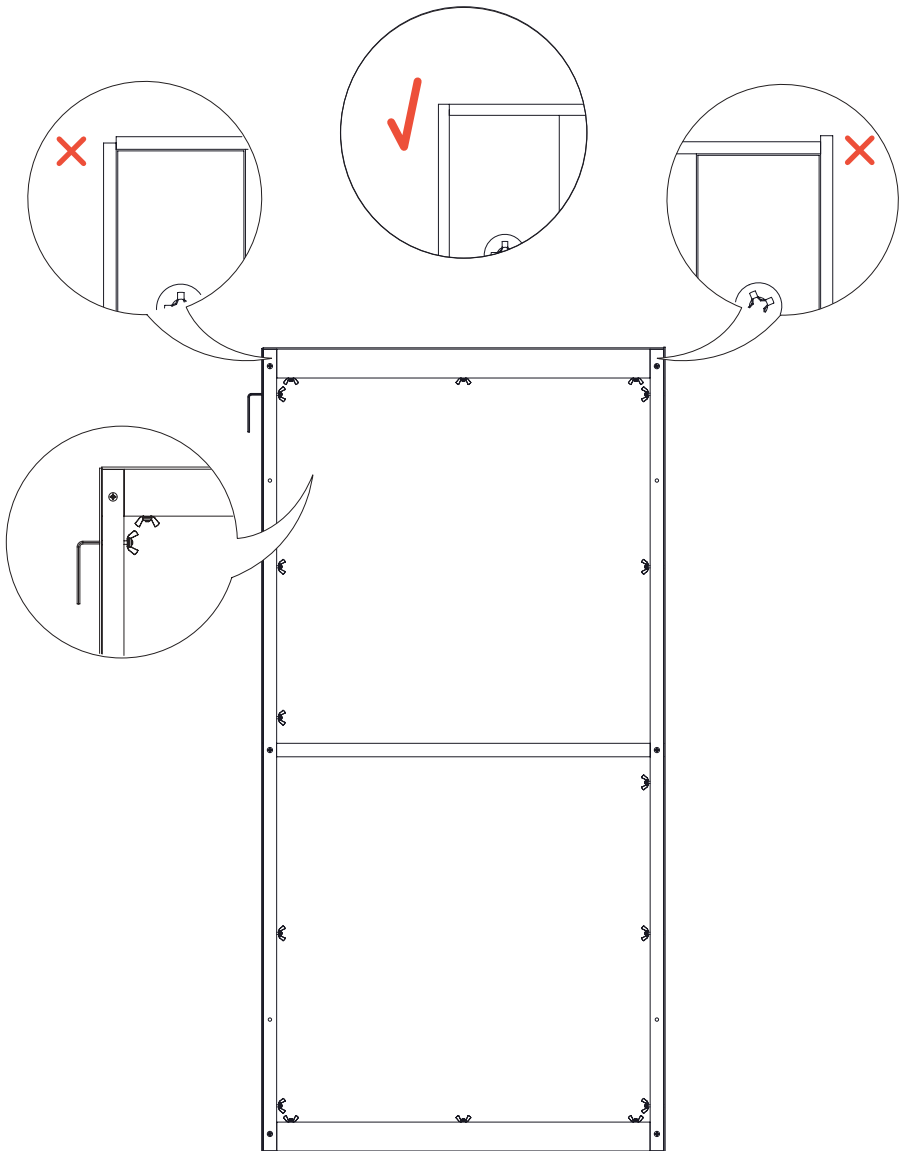


Steps Material

6x L

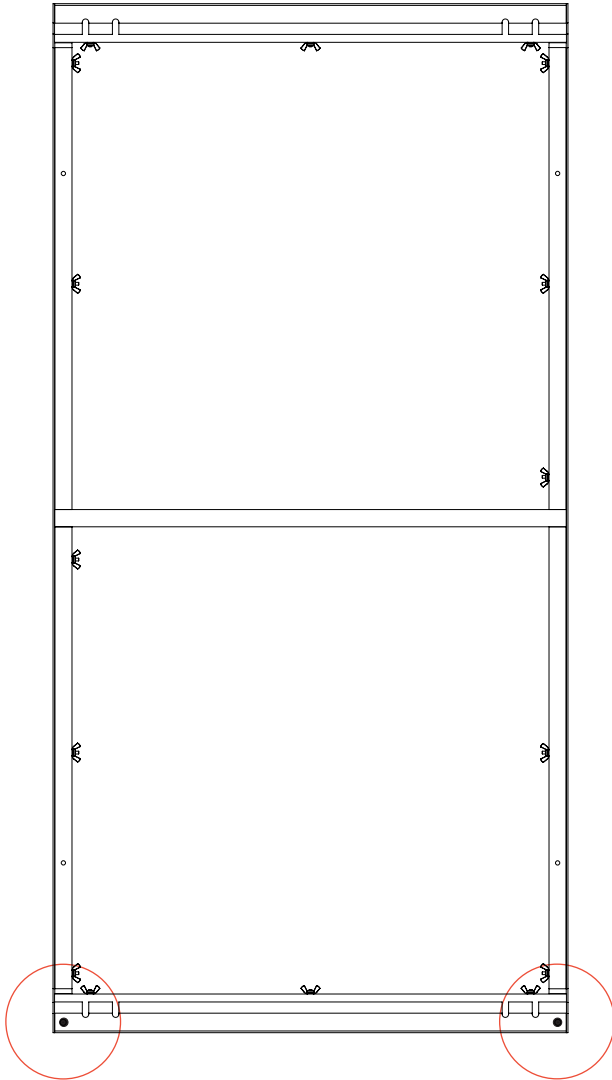
5

You can fine tune the adjustment of the metal side plates by loosening the tightening screws. When the plates have been aligned, tighten the screws permanently.

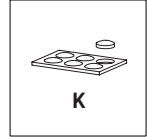


6

Turn the VicSpacer on its back and apply the silicone drops as indicated in the diagram.



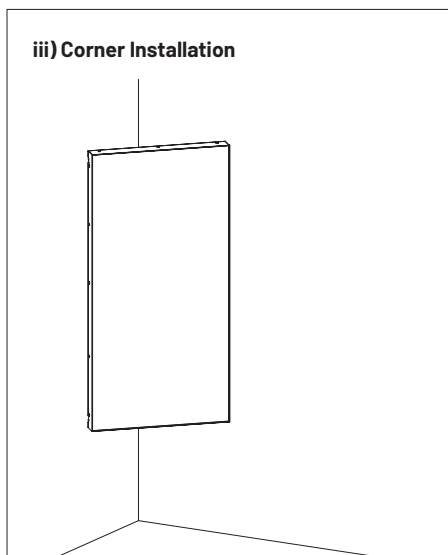
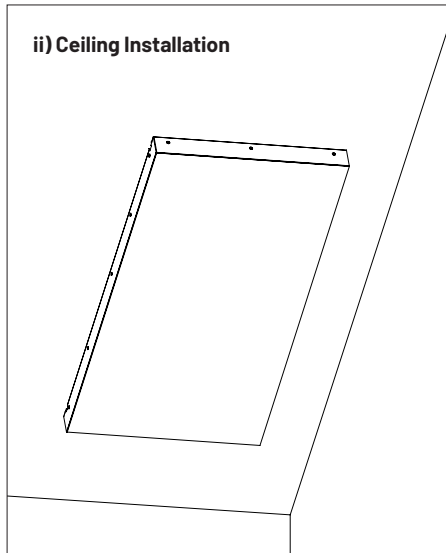
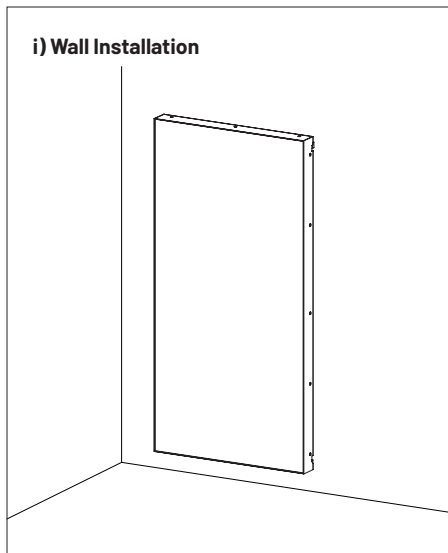
Steps Material



Installation Options

This product can be installed on:

- i) the wall using VicFix Mini (included) or fixing screws (not supplied);
- ii) the ceiling using VicFix J Profile 2m (sold separately) or fixing screws (not supplied)
- iii) vertical corners using VicFix Corner using VicFix Corner and VicFix J Profile 80mm (sold separately)



For information about the various possibilities of installing the product, please consult the manual available on our website: www.vicoustic.com

Main Office, R&D & Logistics

Avenida do Pólo 3, N.º 159, Carvalhosa
4590-137 Paços de Ferreira, Portugal

Office

Rua Quinta do Bom Retiro N.º 16, Armazém 9
2820-690 Charneca da Caparica, Portugal
T (+351) 212 964 100

Info and Sales

E sales@vicoustic.com

www.vicoustic.com



© Vicoustic, 2022 | V7

No parts of this document might be copied and/or published without written consent of Vicoustic.