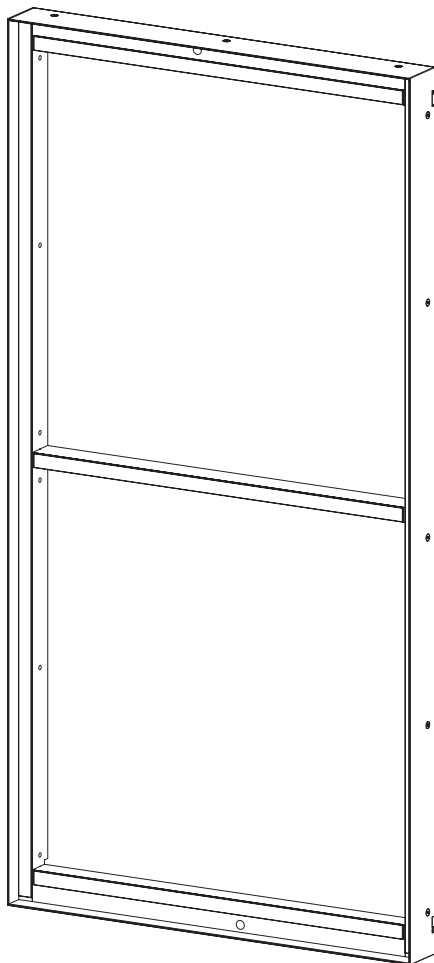


# VicSpacer

Installation Manual



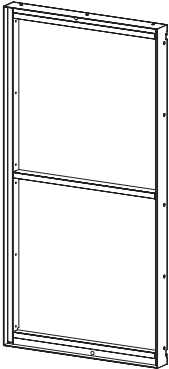


## INDEX

Material Needed	4
Installation Options	5
1. Ways of using the Gouge F	6
1.1 Installation of one unit	
1.2 Installation of two units	
1.3 Installation of three units	
1.4 Ways of using the gauge X	
2. Wall Installation one unit	8
3. Wall Installation two units	10
4. Wall Installation three or more units	14
5. Wall Installation - Horizontal	19
6. Wall Installation - Flat Panel VMT 2380x1190	22
7. Ceiling Installation - one unit	27
8. Ceiling Installation - two or mores units	29
9. Ceiling Installation - With J Profile 2m	32
10. Corner Installation	34
11. Flat Panel VMT Installation	36

✓ MATERIAL NEEDED

Included



VicSpacer



Flexi Glue Ultra



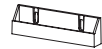
H



I



M



L\_VicFix Mini

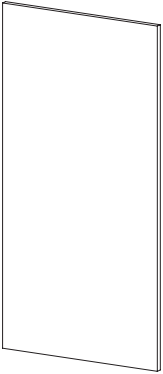


F\_Gauge

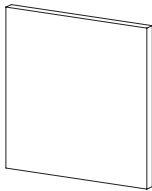


X\_XXL Gauge

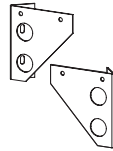
Not Included



Flat Panel VMT



VicPET Wool Filling



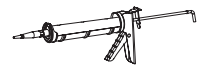
VicFix Corner



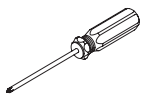
Measuring Tape



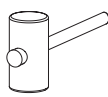
Wall Plugs and Screws



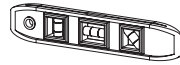
Caulking Gun



6mm Phillips Screwdriver



Rubber Hammer



Level



Hex key



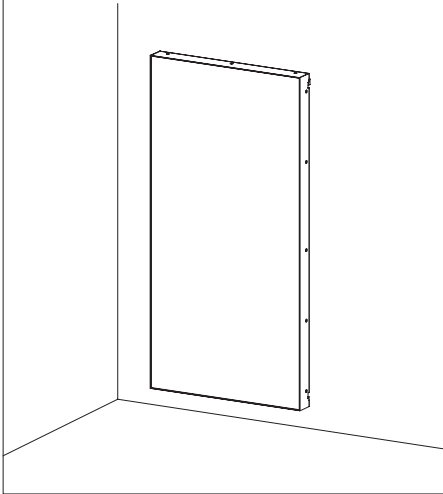
Drill

## Installation Options

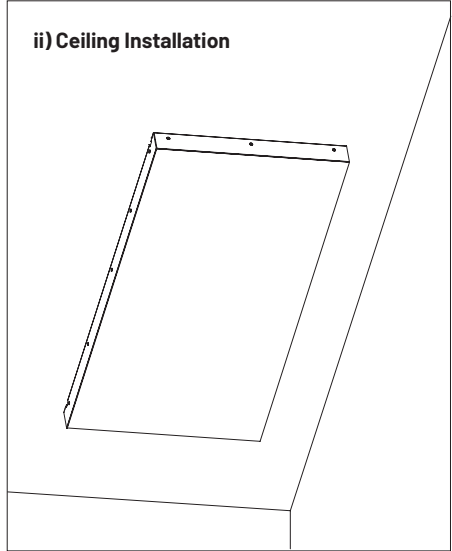
This product can be installed on:

- i) the wall using VicFix Mini (included) or fixing screws (not supplied);
- ii) the ceiling using VicFix J Profile 2m (sold separately) or fixing screws (not supplied)
- iii) vertical corners using VicFix Corner using VicFix Corner and VicFix J Profile 80mm (sold separately)

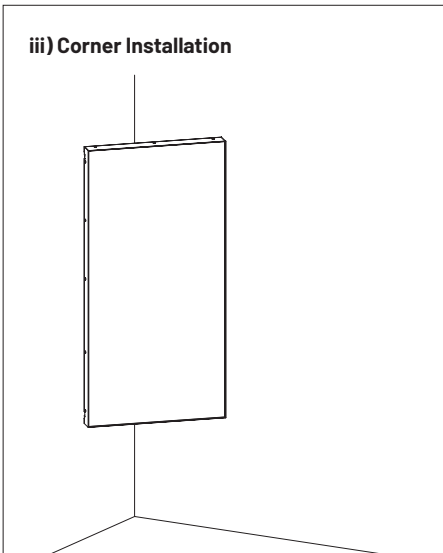
### i) Wall Installation



### ii) Ceiling Installation



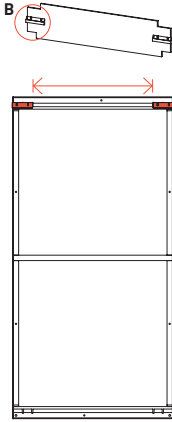
### iii) Corner Installation



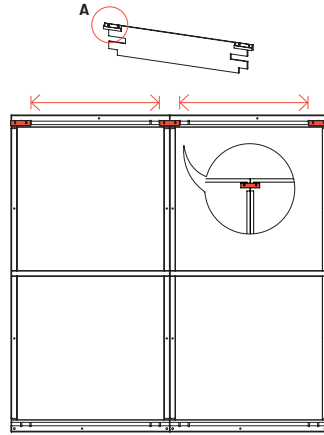
## 1

## Ways of using the gauge F

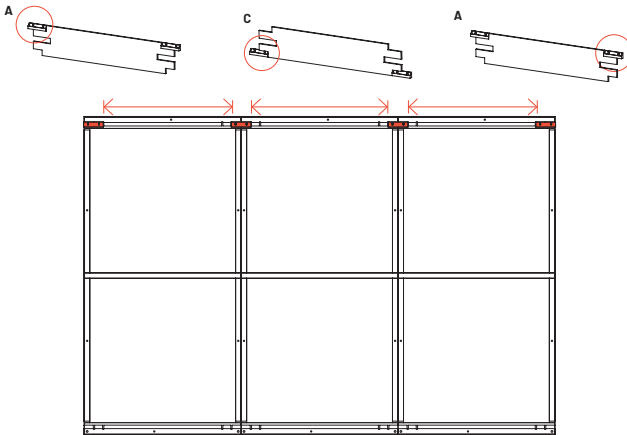
## 1.1 Installation of one unit

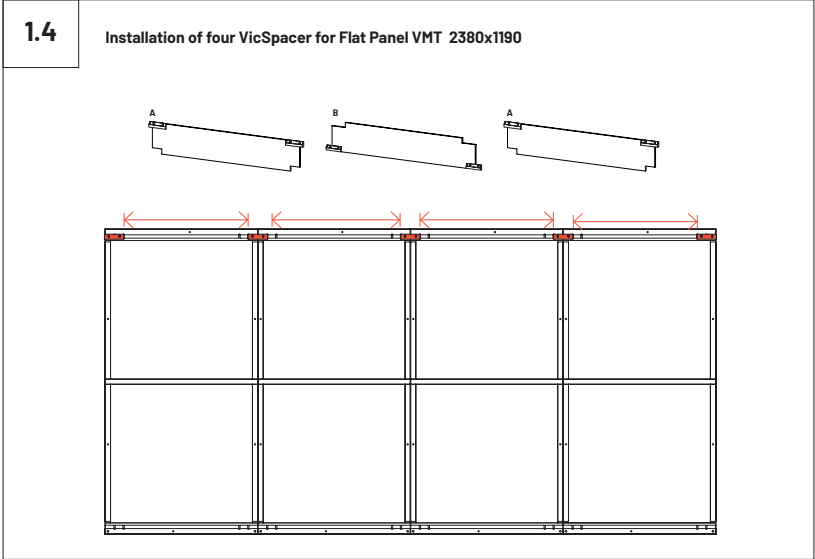


## 1.2 Installation of two units



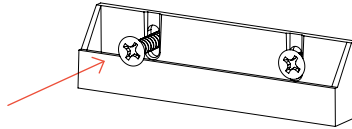
## 1.3 Installation of three or more units







When installing the VicFix Mini, fix the screws in the centre of the slotted holes so that you can vertically readjust the level of the supports and allow alignment between panels. In multi-panel installations, we recommend the use of VicFix J Profile 2m (sold separately).

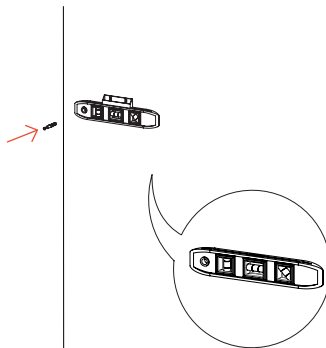


## 2

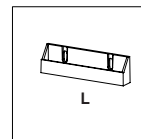
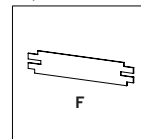
### Wall installation - One unit

#### 2.1

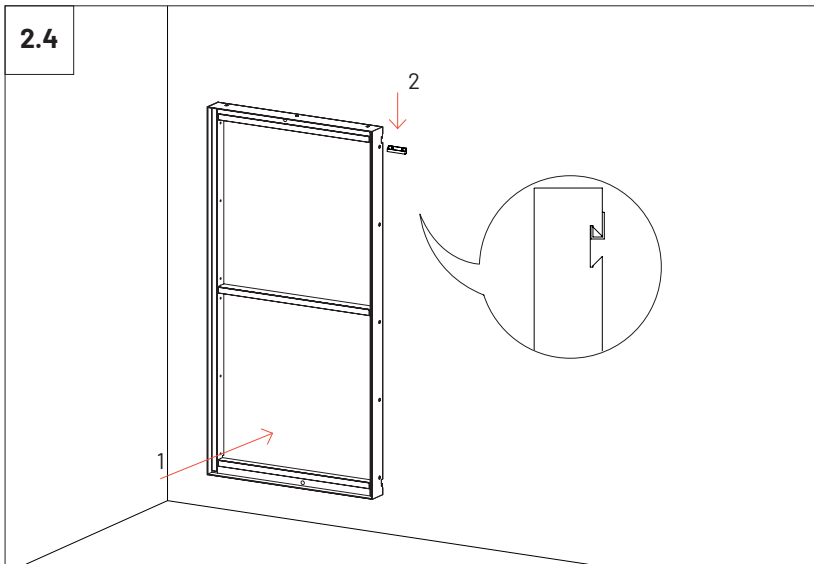
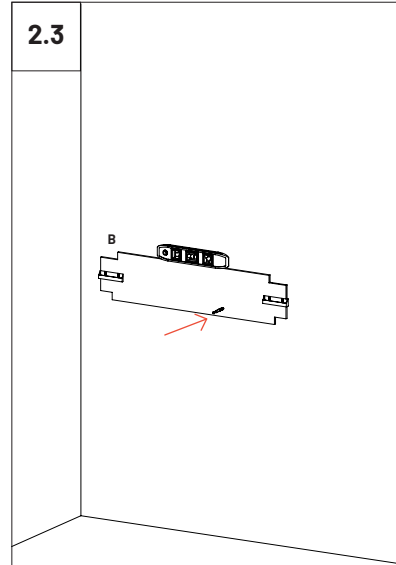
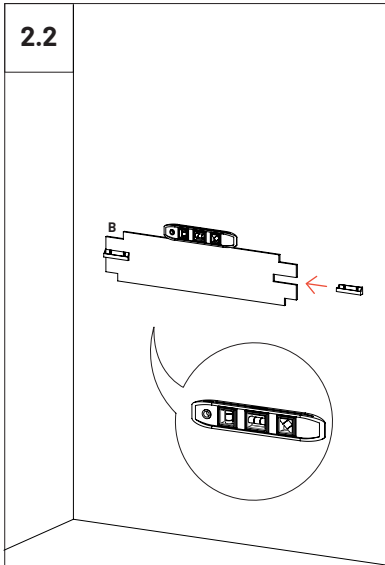
After defining the place where you want to install the VicSpacers, start marking the position of the fixation clips as described on pages 6 and 7 of the manual - **Ways of using the gauge F.**



Steps Material





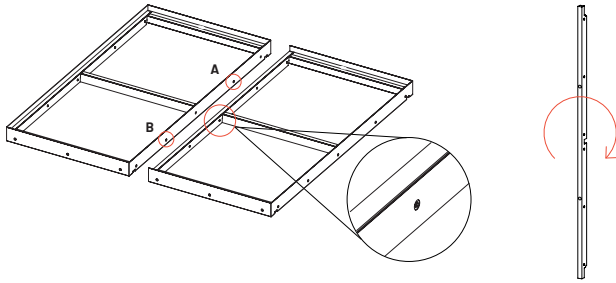


## 3

## Wall installation - Two units

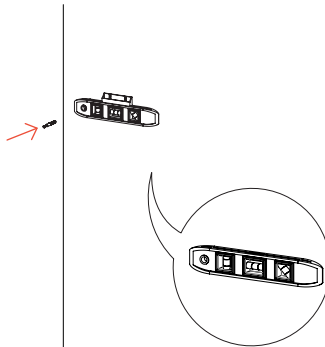
## 3.1

When installing two or more VicSpacer side by side, use only one metal joint (side plate) between them, fixed to one of the structure with the screws provided (only on positions A and B). The contact plywood strip of the right side unit has to be rotated 180° so that the fixing nuts face the same direction and allow tightening between VicSpacers with the screws provided (H).

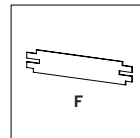


## 3.2

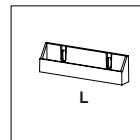
After defining the place where you want to install the VicSpacers, start marking the position of the fixation clips as described on pages 6 and 7 of the manual - **Ways of using the gauge F.**



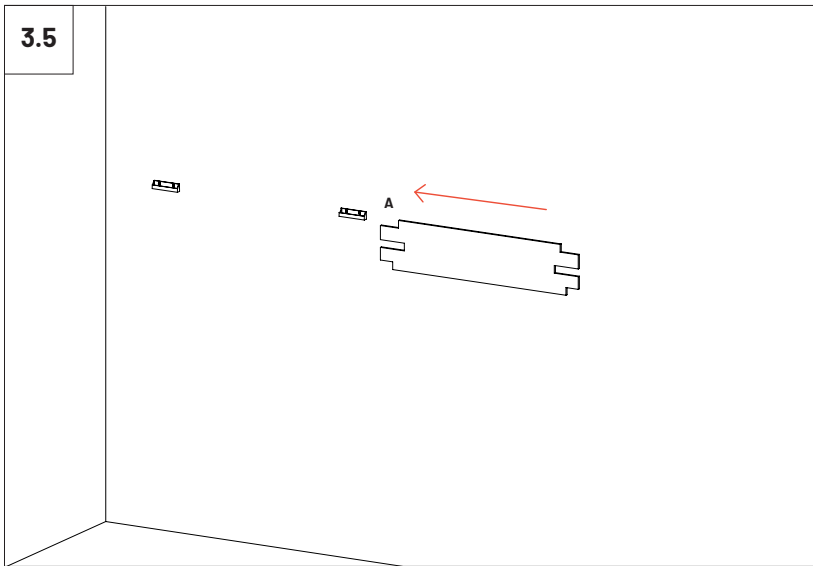
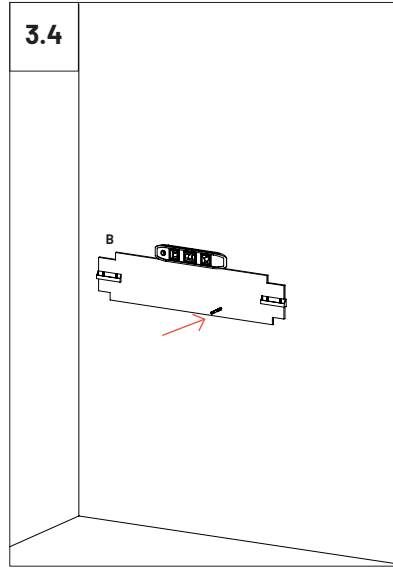
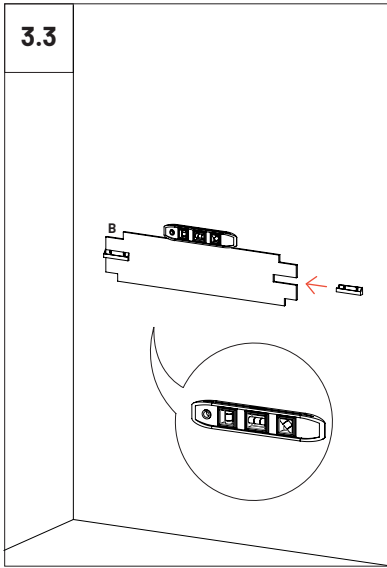
Steps Material

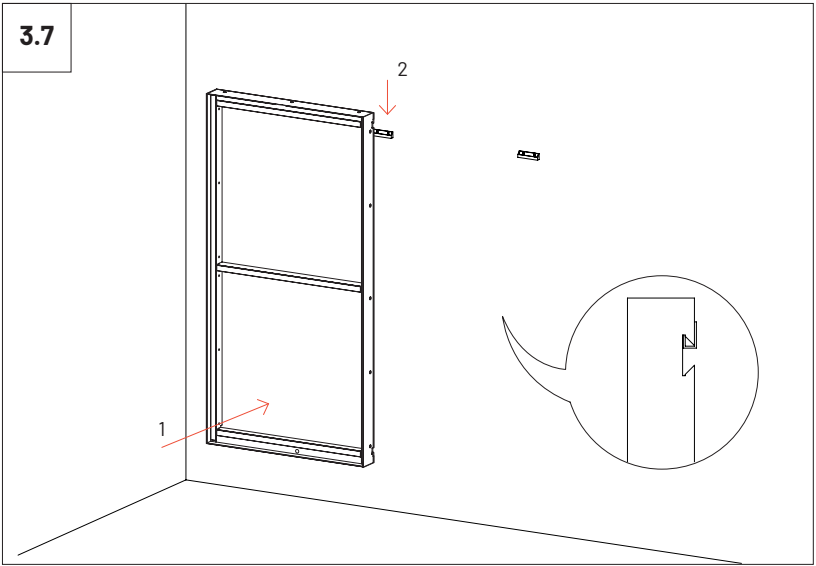
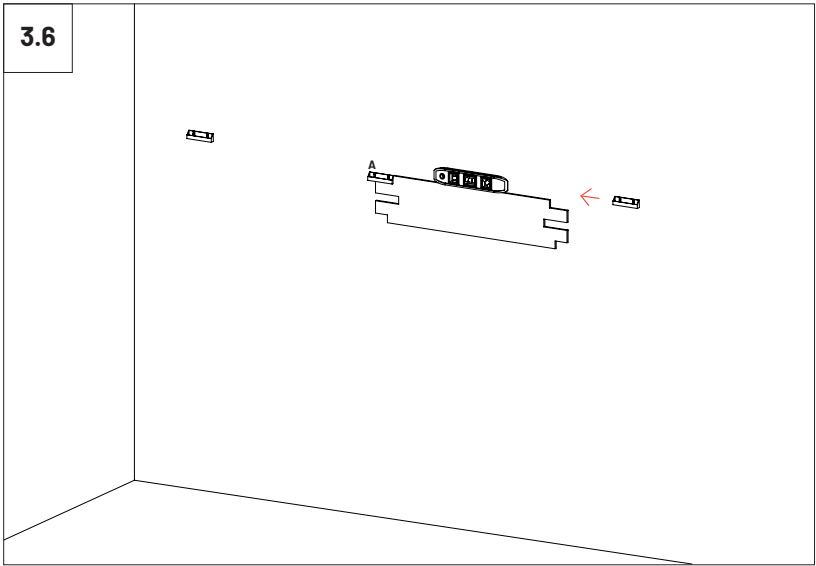


F

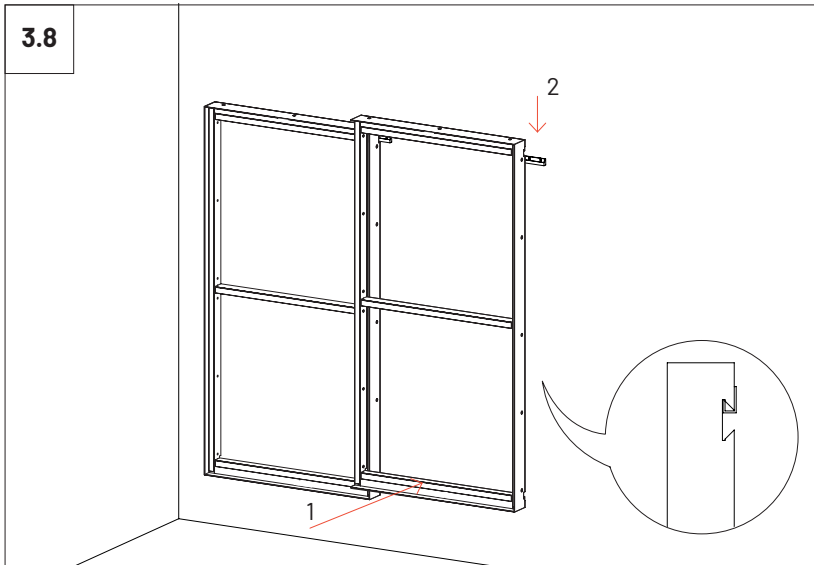


L

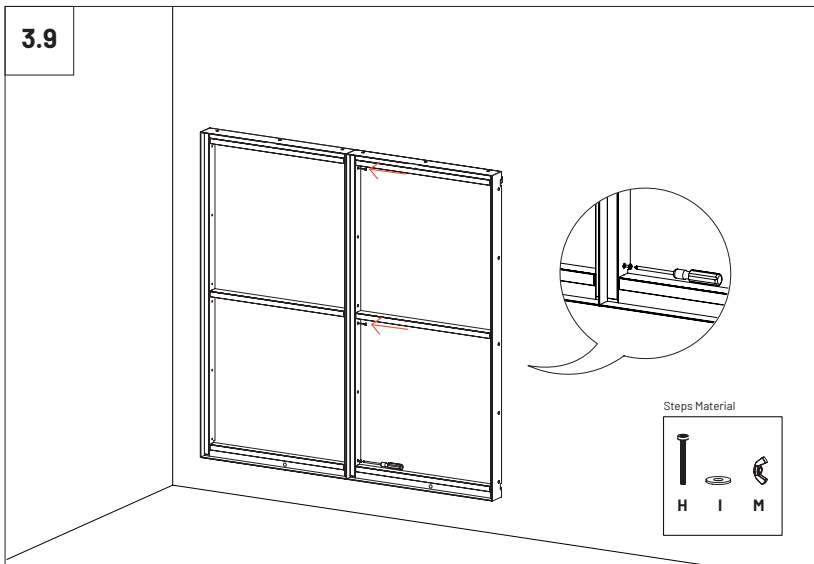




3.8



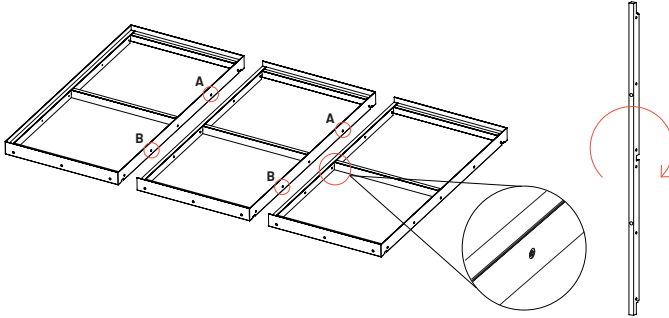
3.9



## Wall installation - Three or more units

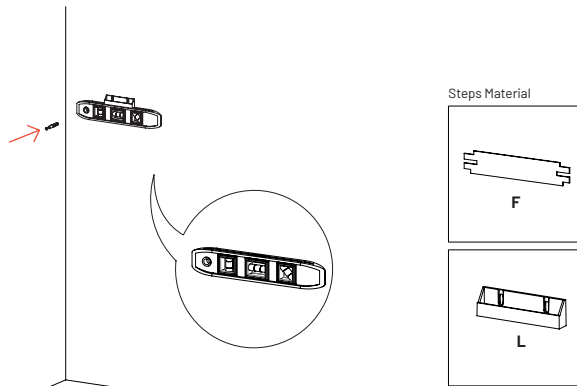
### 4.1

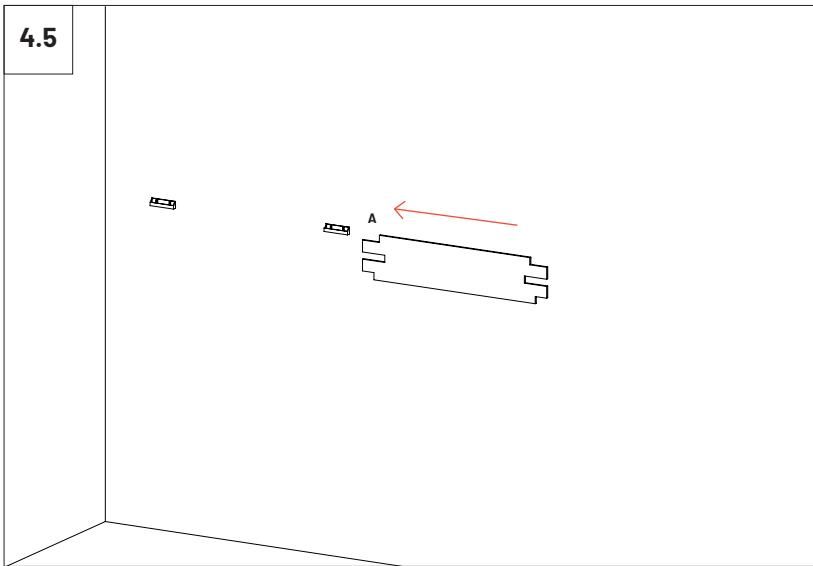
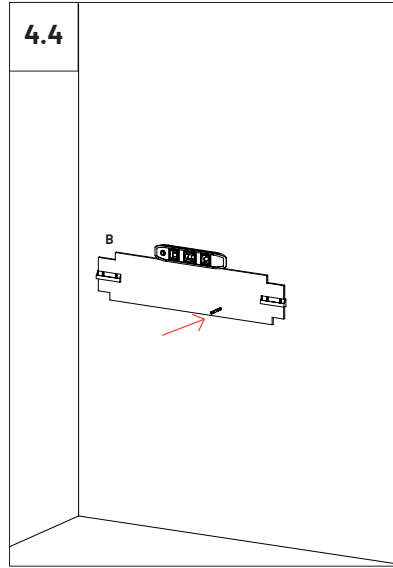
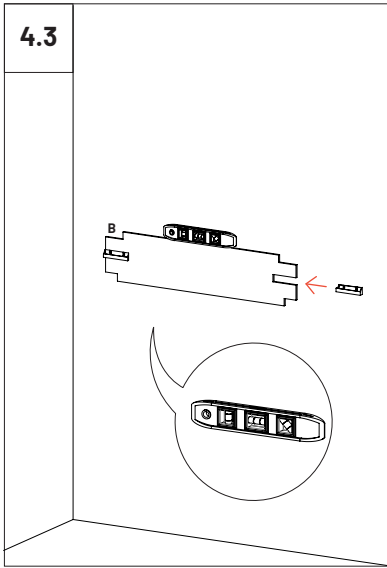
When installing two or more VicSpacer side by side, use only one metal joint (side plate) between them, fixed to one of the structure with the screws provided (only on positions A and B).  
The contact plywood strip of the right side unit has to be rotated 180° so that the fixing nuts face the same direction and allow tightening between VicSpacers with the screws provided (H).

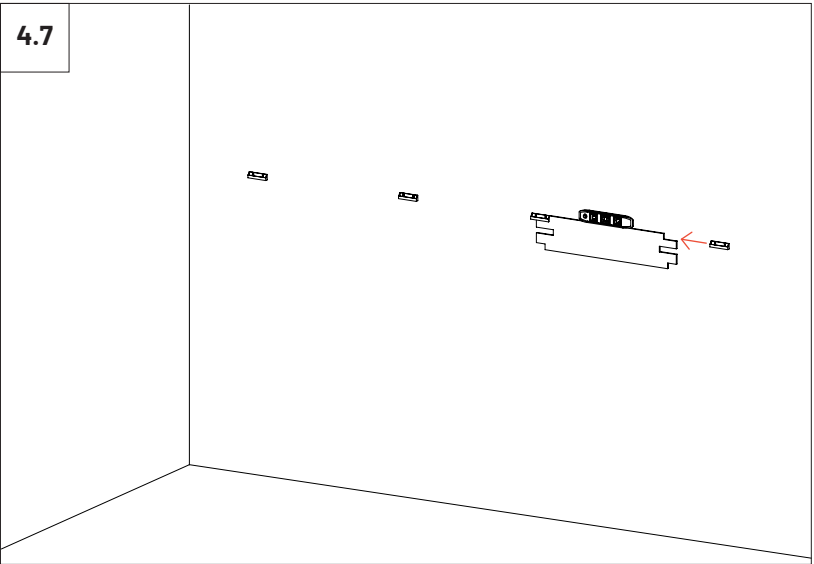
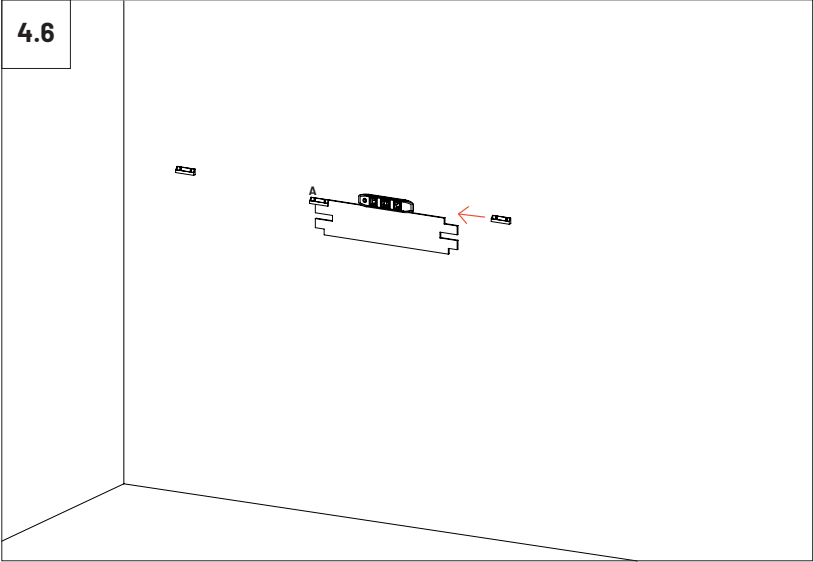


### 4.2

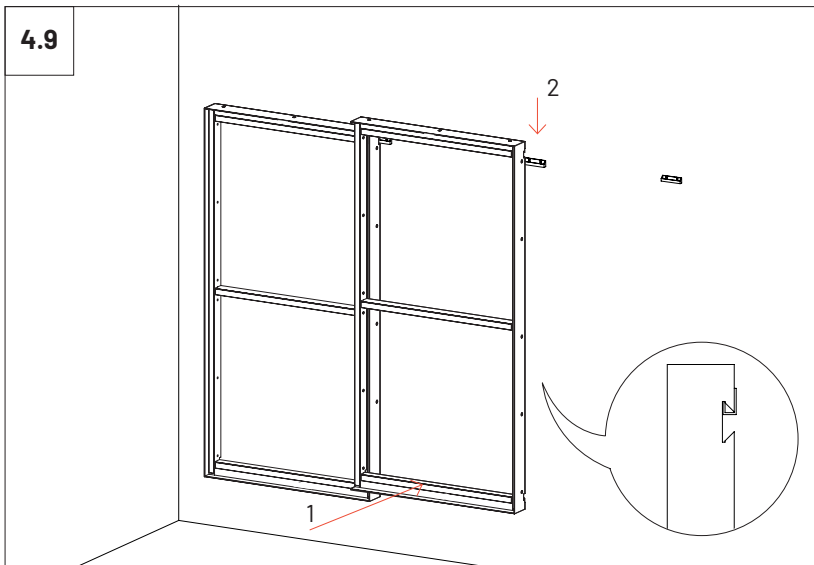
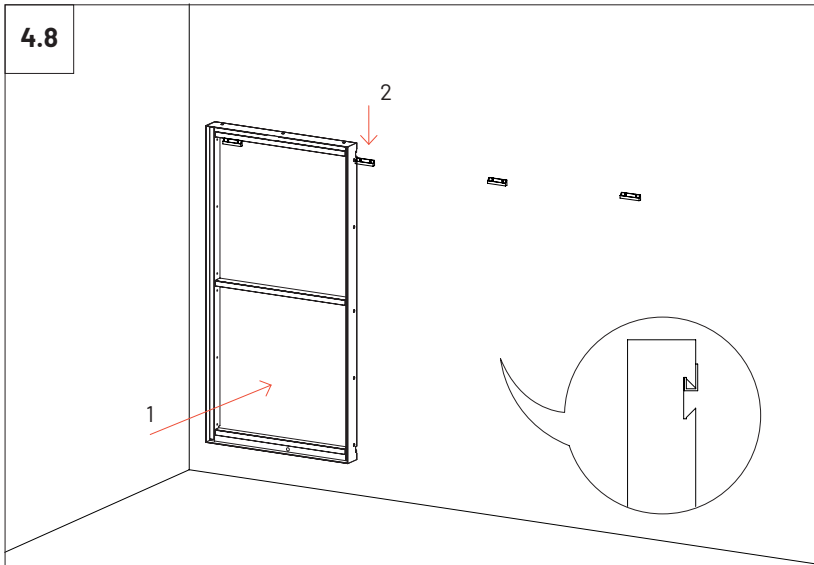
After defining the place where you want to install the VicSpacers, start marking the position of the fixation clips as described on pages 6 and 7 of the manual - **Ways of using the gauge F.**



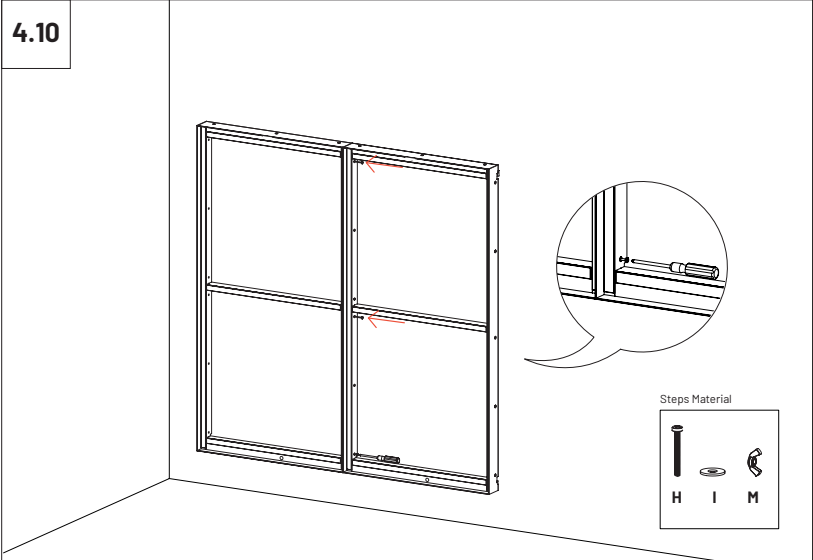




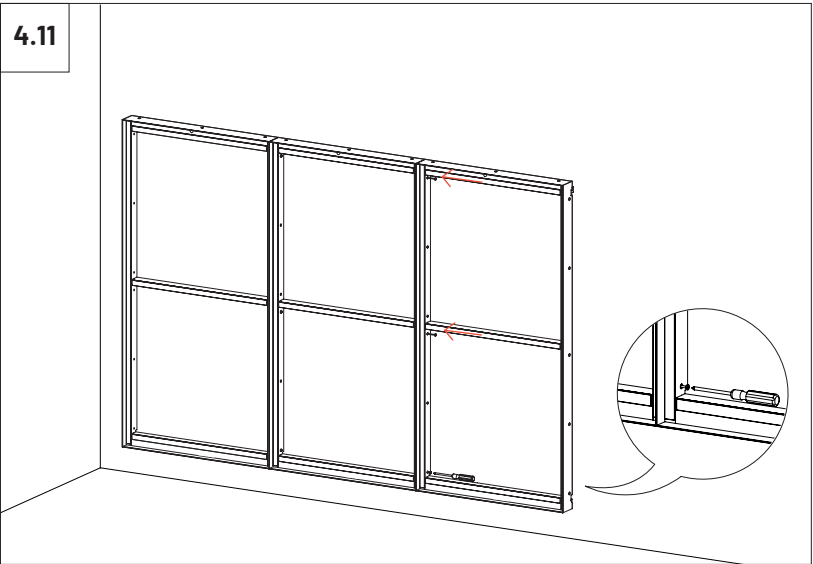




4.10



4.11



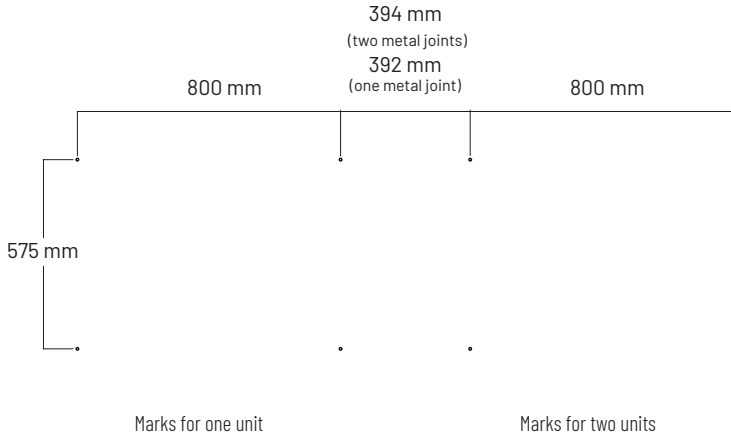
# 5

## Wall Installation - Horizontal (screw mounted panel)\*

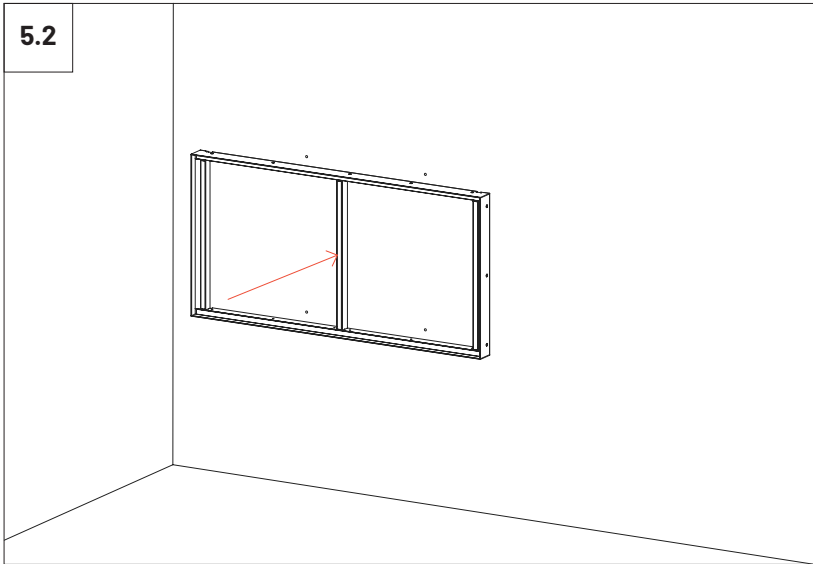
\*screws not included

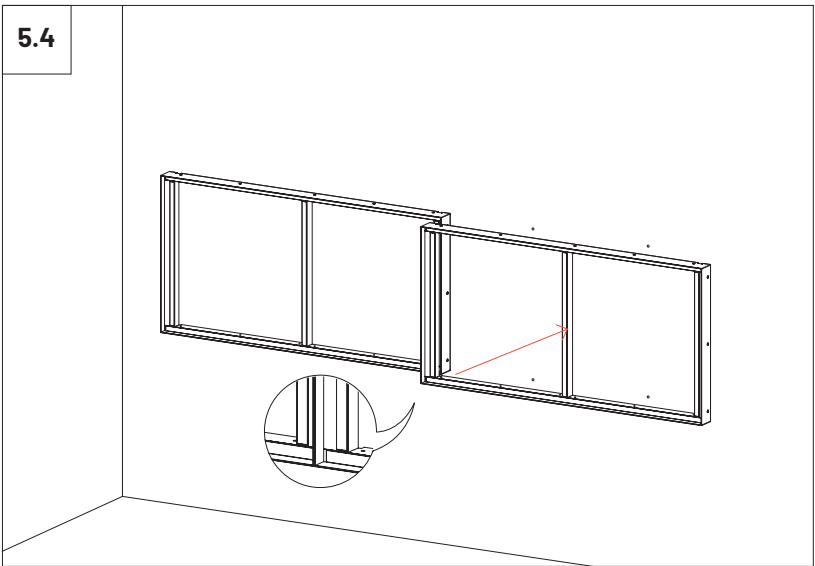
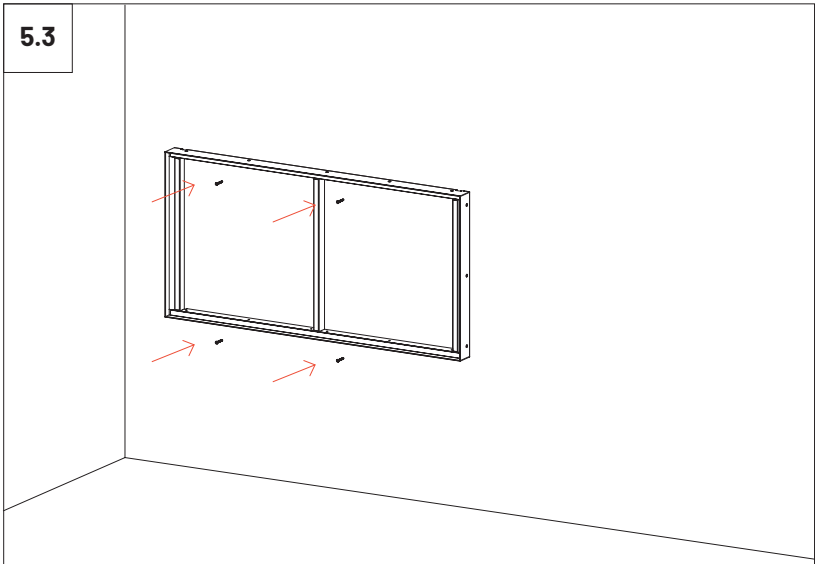
### 5.1

Mark the drill holes of the VicSpacers according to the diagram.

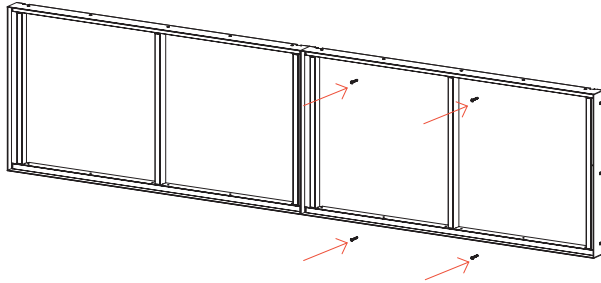


### 5.2





5.5

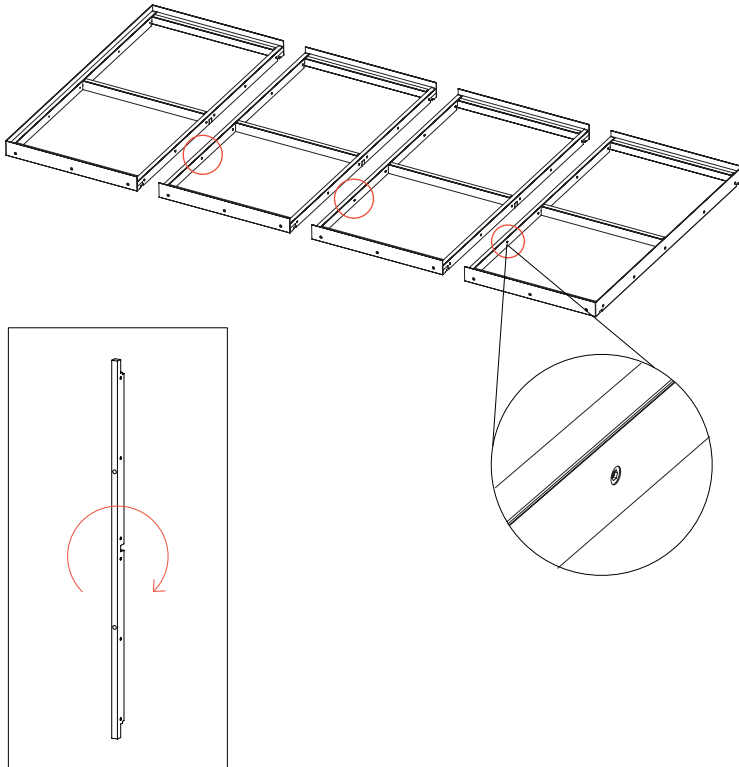


## 6

## Wall Installation - Flat Panel VMT 2380 x1190

## 6.1

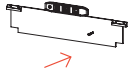
When installing four VicSpacer side by side to install a Flat Panel VMT 2380x1190, do not use the metal joints (side plates) between them. The contact plywood strip of the right side panel has to be rotated 180° so that the fixing nuts face the same direction and allow tightening between VicSpacers with the screws provided.



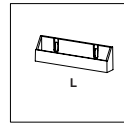
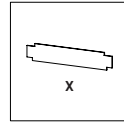
- ! For a more stable and stronger installation, as an alternative to the installation with VicFix Mini, we recommend to screw the VicSpacers directly to the wall.

**6.2**

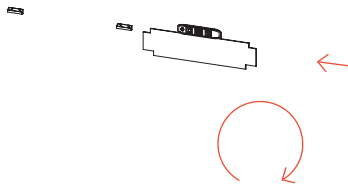
After defining the place where you want to install the VicSpacers, start marking the position of the VicFix Mini as described on pages 6 and 7 of the manual - **Ways of using the gauge X.**



Steps Material

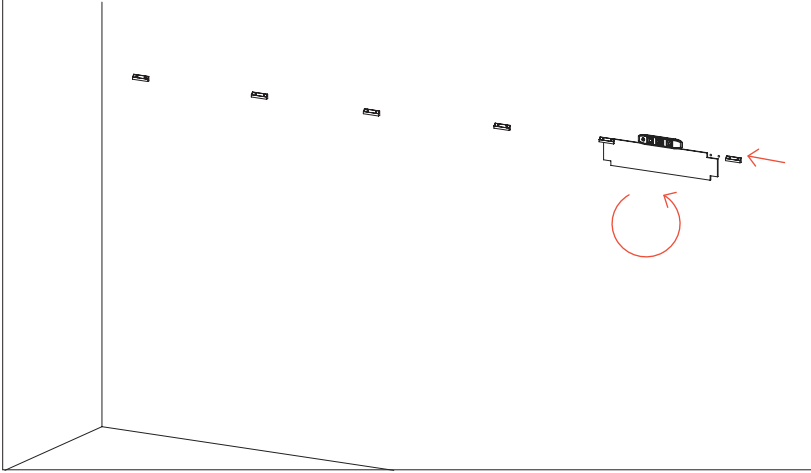
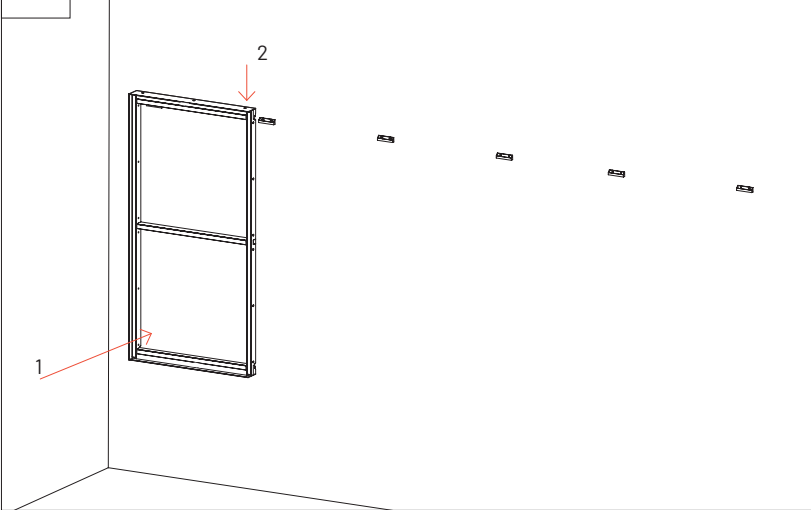
**6.3**

Turn the gauge as shown in the diagrams to install the VicFix Mini on the central panels.



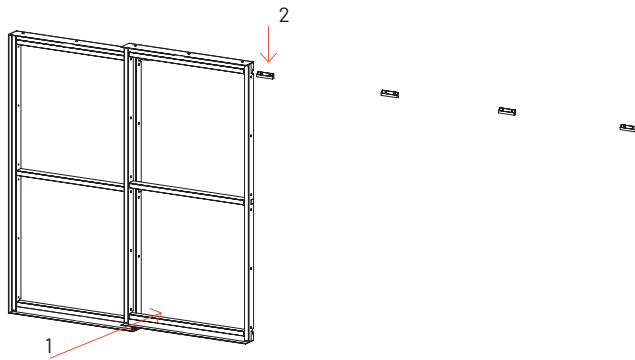
**6.4**

Re-rotate the gauge as shown in the diagrams to install the final VicFix Mini.

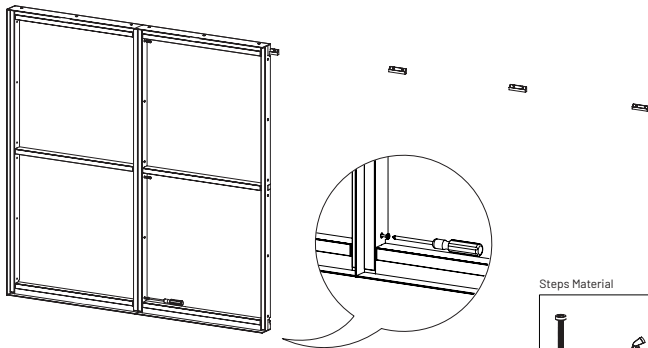
**6.5**



6.6



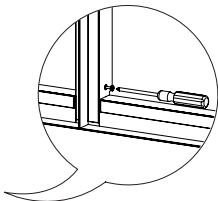
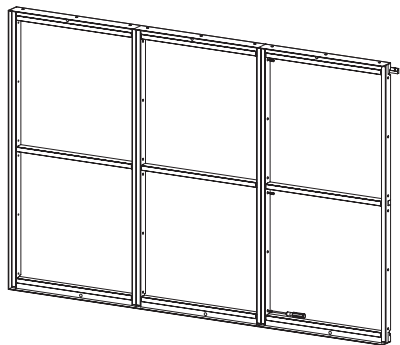
6.7



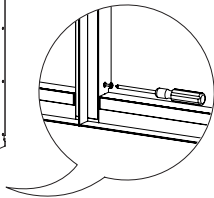
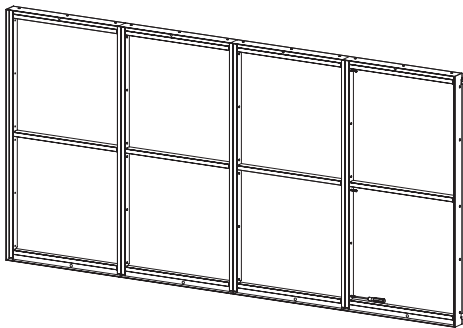
Steps Material



6.8



6.9



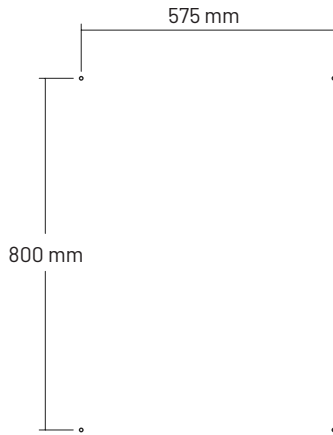
# 7

## Ceiling Installation - one unit (screw mounted panel) \*screws not included

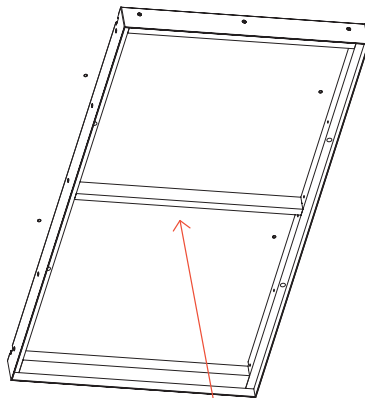
For installation with the VicFix J Profile 2m (optional), please consult the product manual.

### 7.1

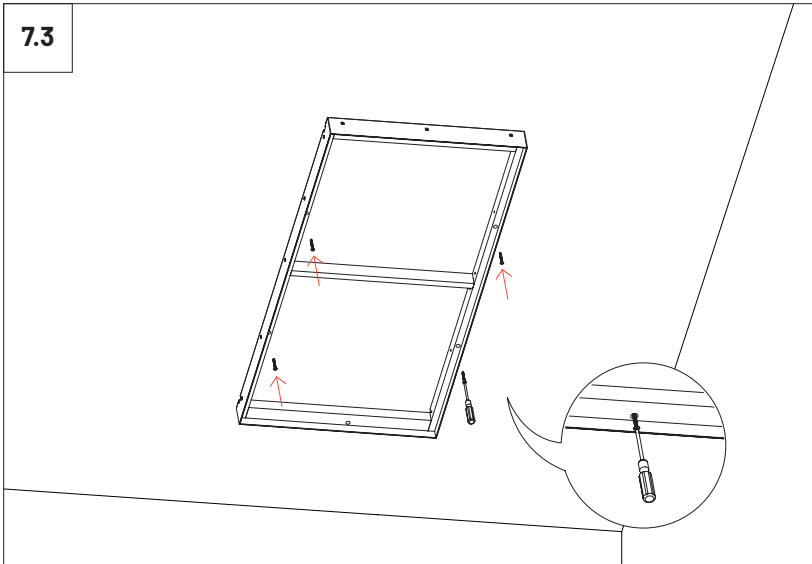
Mark the drill holes of the VicSpacers according to the diagram.



### 7.2

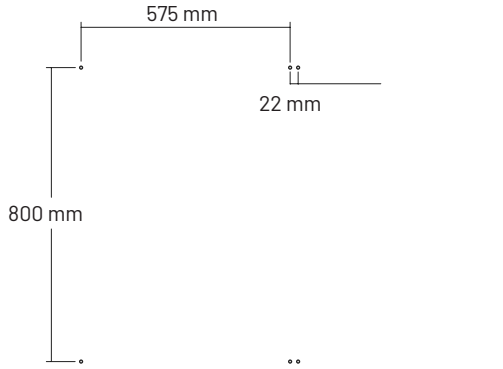


## 7.3

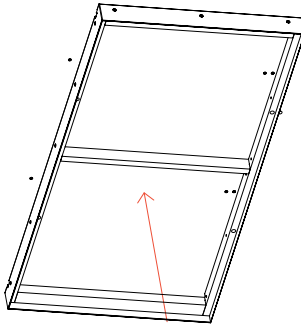


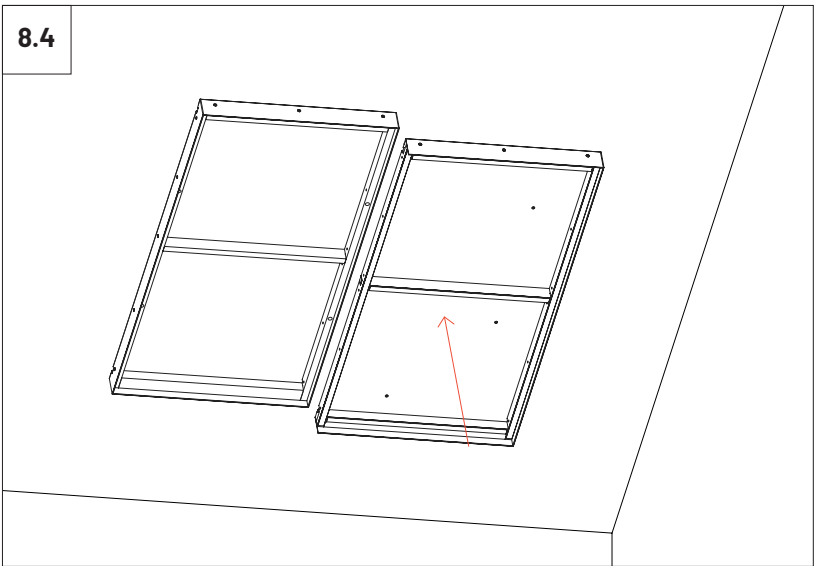
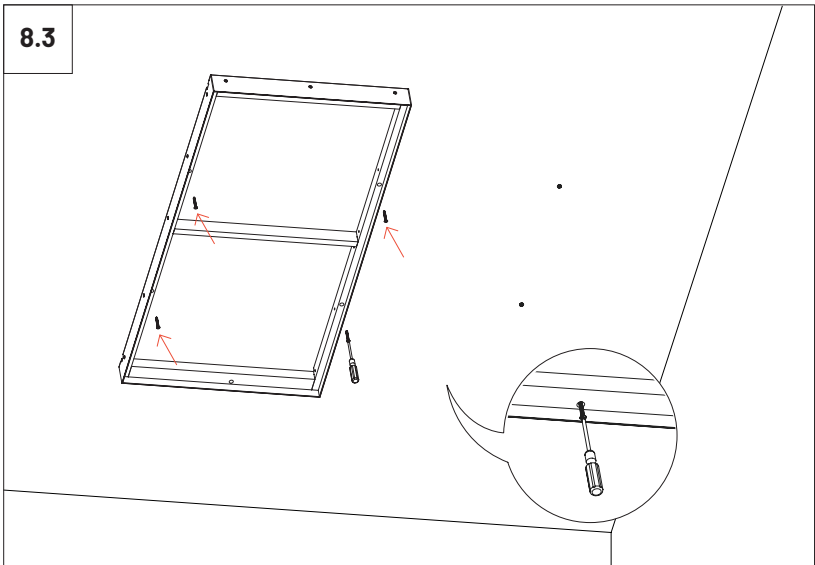
8.1

Mark the drill holes of the VicSpacers according to the diagram. In the case of installing two or more units, pay attention to the spacing between units. The dimensions marked between VicSpacers are for use of only one metal joint between them.

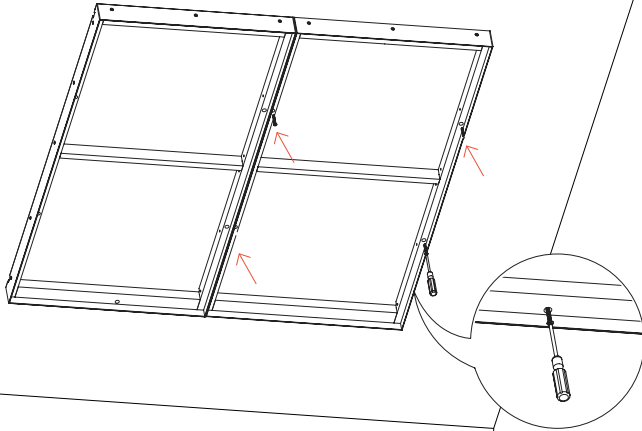


8.2





8.5



## 9

## Ceiling Instalation - With J Profile 2m (Sold separately)

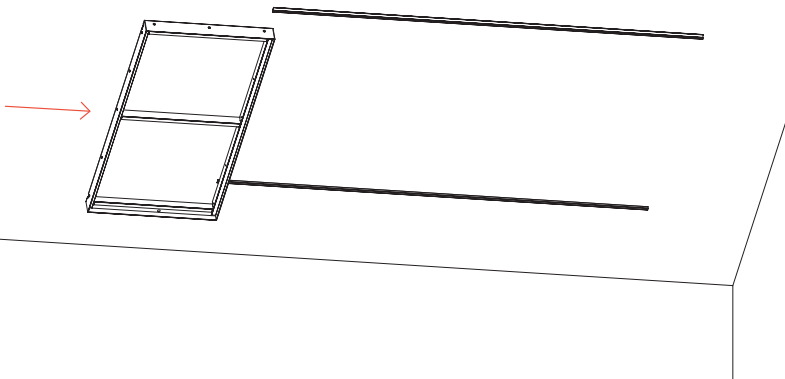
9.1

Drill the profiles and fix them to the ceiling following the distance indicated in the diagram.



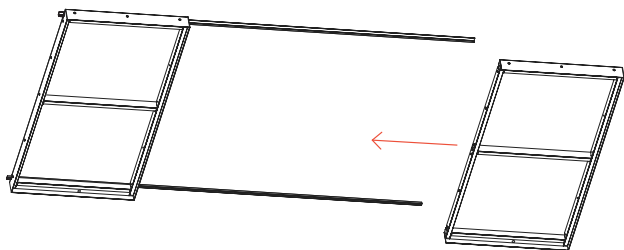
9.2

Slide the VicSpacer along the J profiles, through the lateral grooves.

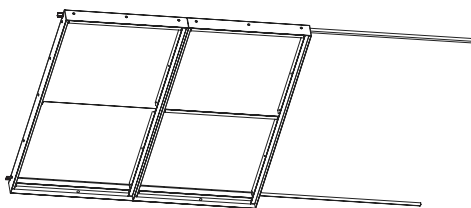




9.3

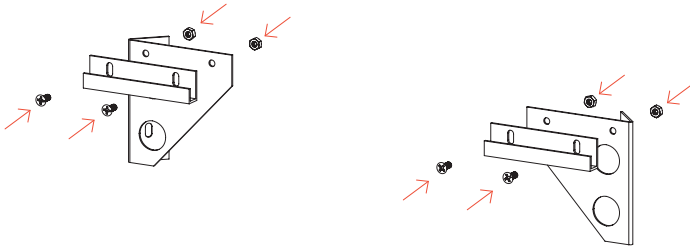


9.4

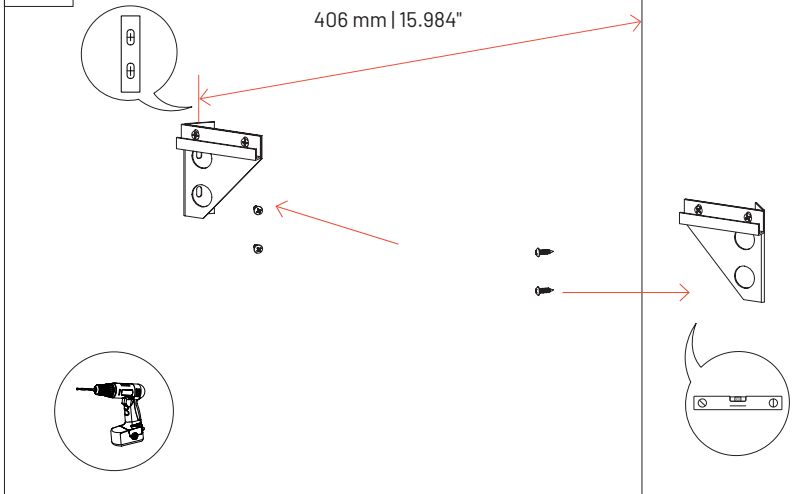


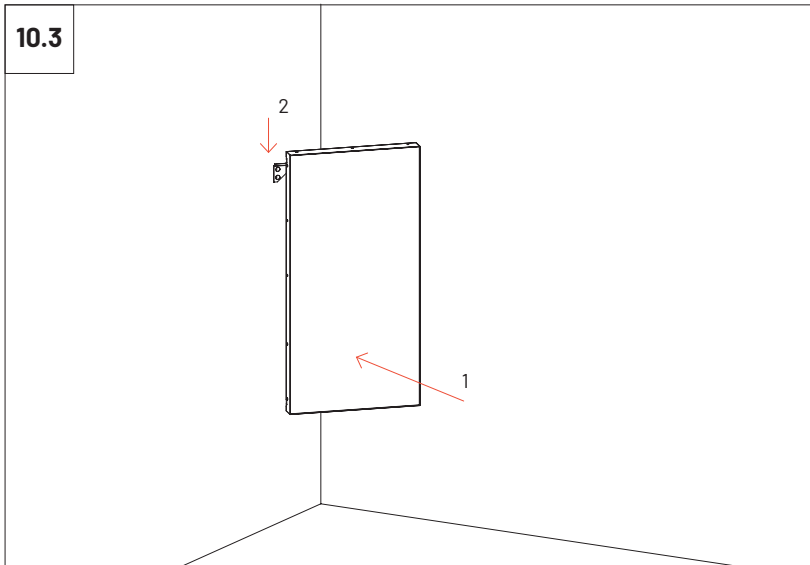
It is recommend to leave some centimeters beyond the first and the last panel to avoid it to loose contact with the VicFix J profile. In countries where earthquakes are likely to happen, it should be applied a blocking element such as a L profile to avoid the last panel to slide off the VicFix J profile. Vicoustic will not take responsibility for any mistakes/ limitations occurring during installations or any damages resulting from falling panels.

10.1



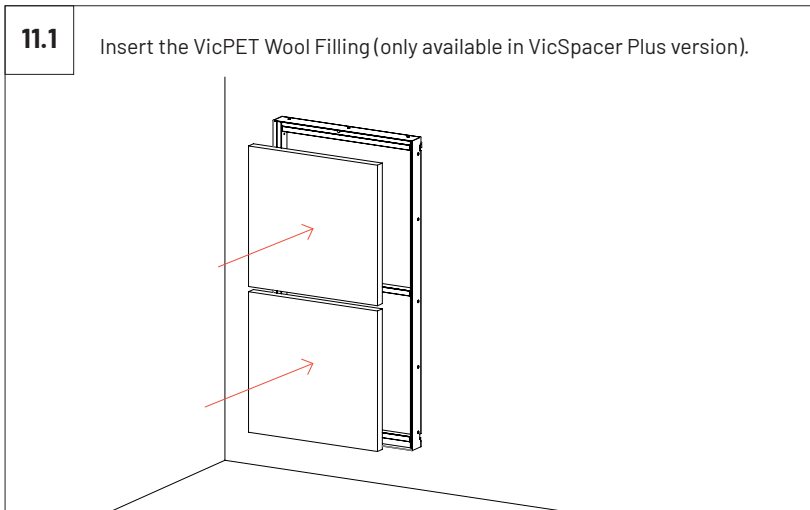
10.2





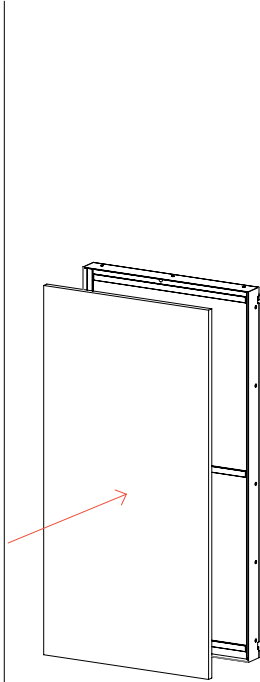
## 11

### Flat Panel VMT Installation



**11.2**

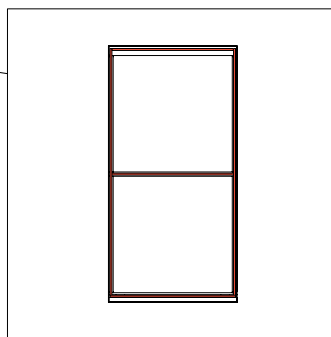
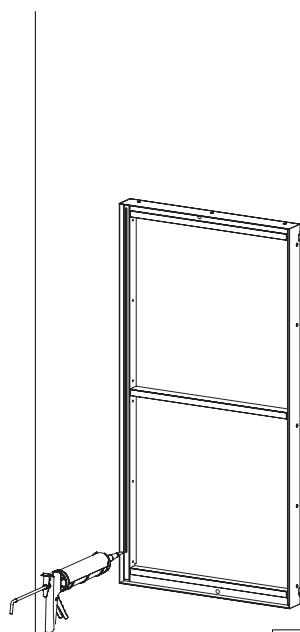
For wall installation and if you do not want a permanent fixation of the Flat Panel VMT, you can apply the panel directly to the Vicspacer, inserting it inside the metal frame.



**11.3**

If you want a more secure and permanent fixation, fix the Flat Panel VMT with Flexi Glue Ultra by applying a bead of glue to the surface of the plywood structure.

For ceiling installation, the Flat Panel VMT must be glued with Flexi Glue Ultra.



### **Main Office, R&D & Logistics**

Avenida do Pólo 3, N.º 159, Carvalhosa  
4590-137 Paços de Ferreira, Portugal

### **Office**

Rua Quinta do Bom Retiro N.º 16, Armazém 9  
2820-690 Charneca da Caparica, Portugal  
T (+351) 212 964 100

### **Info and Sales**

E [sales@vicoustic.com](mailto:sales@vicoustic.com)

[www.vicoustic.com](http://www.vicoustic.com)



© Vicoustic, 2021 | V6

No parts of this document might be copied and/or published without written consent of Vicoustic.