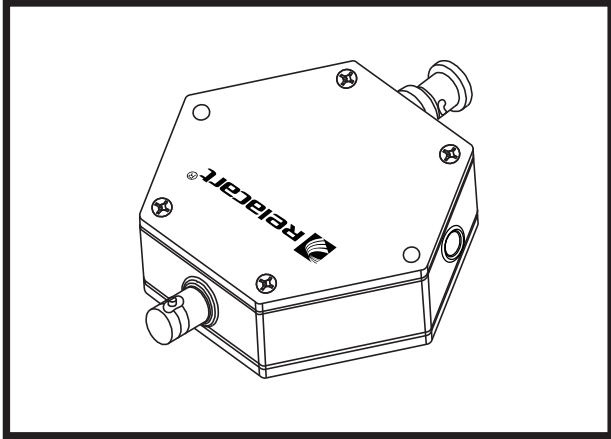


R-20A UHF Wide-band Antenna Booster



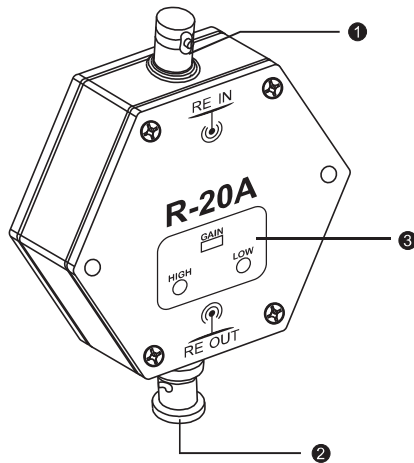
Technical Specifications

Frequency Range	500 MHz — 800 MHz
High Gain	13 dB
Low Gain	5 dB
Connector	BNC Female Connector
VSWR	Input: $\leq 3:1$; output: $\leq 3:1$
Noise	3dB (typical)
Power Supply	DC 8V, 80 mA
Operating Temperature	-20°C to +60°C
Dimensions (mm)	60(H) x 42(W) x 88(D)
Weight	125 g(excluding the bracket)
packing	Black electroplating aluminum

R-20A provides increased gain for receiving antennas, maintains effective and reliable signals and reduces chance for signal dropouts under difficult RF conditions.

- Compact and lightweight for easy installation in small spaces: R-20A is integrated into a small size case and can be connect to connecting cables by series connection.
- The type of the connection cable and length: 50 Ohm low-loss coaxial cable.

R-20A Functions



- ① The input connector of the antenna (BNC onnector) and directly connect the BNC connector to R-20U antenna.
- ② Using high quality low loss coaxial cable to connect the output connector (BNC onnector) of R-20A to the input of Relacart UHF receiver or R-14D Antenna Divider. And this connector also output power to the R-20A UHF Wide-band Directional Antenna.
- ③ Gain Optoal switch: when choose gain "HIGH" the light will turn red, the gain is 13 dB; when choose gain "LOW" the light will turn green, and the gain is 5 dB. According to actual needs.

